

# CLASS 150 STAINLESS STEEL FLOATING BALL VALVE

Fig# BL 150SS

**Applicable Standards:**

Steel Ball valves, ASME B16.34

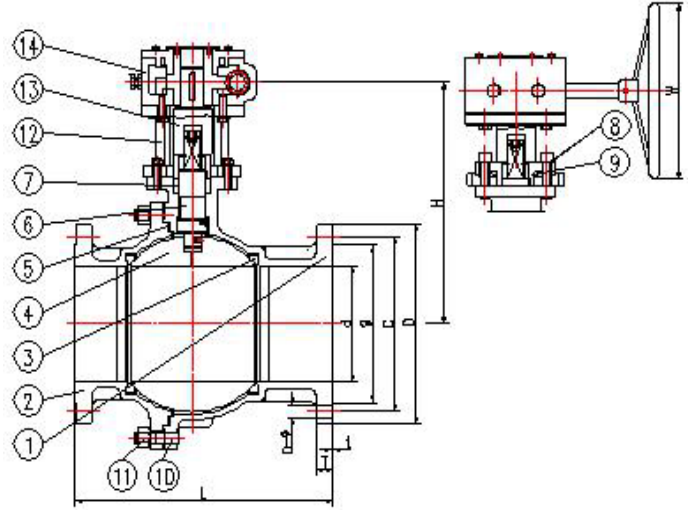
Face to Face, ASME B16.10

End Flange, ASME B16.5

Inspection and Test, API 598

**Design:**

Valve MFG in Accordance with NACE MR0175 Specifications



NO	PART NAME	MATERIAL
1	Body	A351-CF8M
2	Bonnet	A351-CF8M
3	Ball Seats	TFM1600
4	Ball	A276-316
5	Gasket	316+Graphite
6	Stem	A276-316
7	Packing	PTFE/Graphite

NO	PART NAME	MATERIAL
8	Belleville Washers	A276-301
9	Gland Flange	A351-CF8
10	Bonnet Bolt	A193-B8M
11	Nut	A194-8M
12	Yoke	A351-CF8
13	Coupling	A276-420
14	Worm Gear Actuator	C.S

NPS	Typical Dimensions(in)				Class 150Lb Flange Dimensions(in)							WT Lbs
	d	L	H	W	D	C	g	T	t	n	Φ	
6	6	15.5	12.87	11.81	11	9.5	8.5	1	0.06	8	7/8	286
8	8	18	16.28	11.81	13.5	11.75	10.62	1.12	0.06	8	7/8	299.2
10	10	21	17.89	11.81	16	14.25	12.75	1.18	0.06	12	1	463.1
12	12	24	19.68	11.81	19	17	15	1.25	0.06	12	1	683